

# HEIM *Unibal*<sup>®</sup>

## SPHERICAL BEARINGS

insert  
construction



### SPECIFICATION

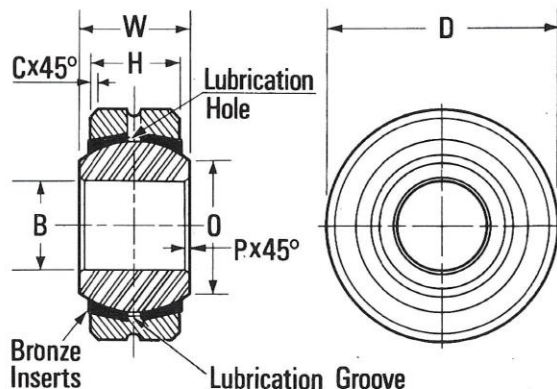
**HOUSING** 30/40 TONS CARBON STEEL.

**FINISH** CADMIUM PLATED.

**BALL** ONE PER CENT CARBON CHROMIUM STEEL (EN31) HEAT TREATED TO 60/62 ROCKWELL 'C'.

**INSERTS** NAVAL BRONZE.

ALL DIMENSIONS GIVEN IN INCHES.



## RS series

BEARING NUMBER	B	D	W	H	O	C	P	Ball Diameter	Maximum Static Radial Load in Pounds Approx.	Weight in Pounds Approx.
	Bore	Diameter	Ball Width	Housing Width	Flats	Chamfer	Chamfer			
	+·0005 -·0005	+·0000 -·0005	+·000 -·005	+·000 -·005		+·015 -·000	+·015 -·000			
RS2-S	·1250	·5560	·281	·219	·249	·016	·010	$\frac{3}{8}$	2,580	·016
RS3	·1875	·6250	·281	·187	·293	·016	·010	$\frac{13}{32}$	2,961	·018
RS4	·2500	·7500	·375	·281	·354	·016	·016	$\frac{33}{64}$	5,246	·037
RS5	·3125	·8750	·437	·313	·447	·016	·016	$\frac{5}{8}$	6,554	·050
RS6	·3750	1·0000	·500	·375	·517	·016	·016	$\frac{23}{32}$	8,606	·086
RS7	·4375	1·1875	·562	·437	·586	·032	·016	$\frac{11}{8}$	11,100	·108
RS8	·5000	1·3125	·687	·531	·637	·044	·016	$\frac{15}{8}$	15,600	·188
	+·00075 -·0005	+·0000 -·0005	+·000 -·005	+·000 -·005		+·015 -·000	+·015 -·000			
RS10	·6250	1·5625	·875	·687	·802	·044	·032	$1\frac{3}{16}$	25,700	·351
RS12	·7500	2·2500	1·250	·937	1·038	·044	·032	$1\frac{5}{8}$	47,600	·984
RS16	1·0000	2·3750	1·125	·875	1·345	·062	·032	$1\frac{3}{4}$	48,200	1·014
	+·0010 -·0005	+·0000 -·0005	+·000 -·005	+·000 -·005		+·015 -·000	+·015 -·000			
RS19	1·1875	2·6250	1·250	1·000	1·562	·085	·032	2	63,000	1·266
RS24	1·5000	3·2500	1·500	1·250	2·000	·085	·047	$2\frac{1}{2}$	98,000	2·535

For further information refer to Technical index.